

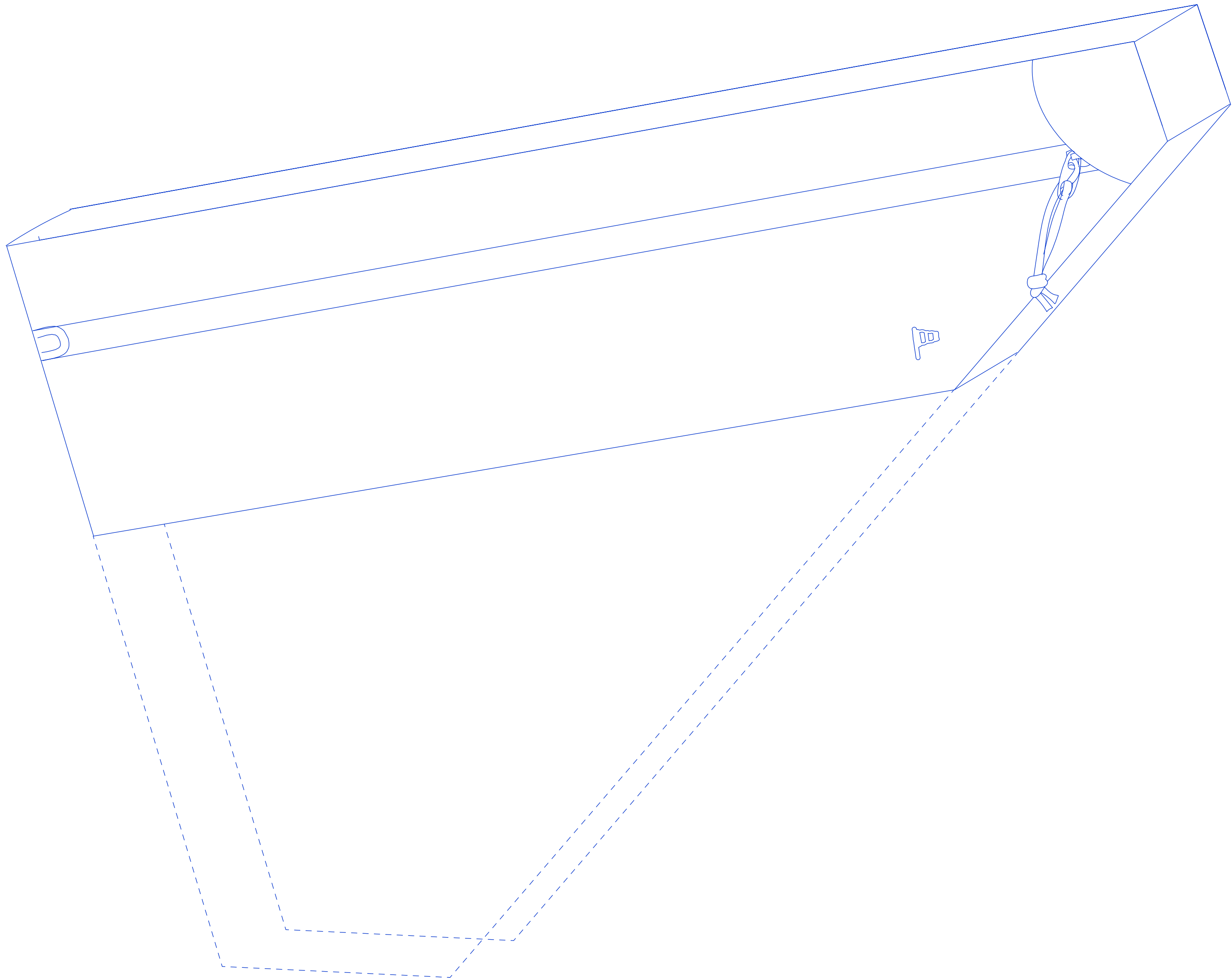
# COURS S'IL PLEUT

framebags



# HALF FRAME

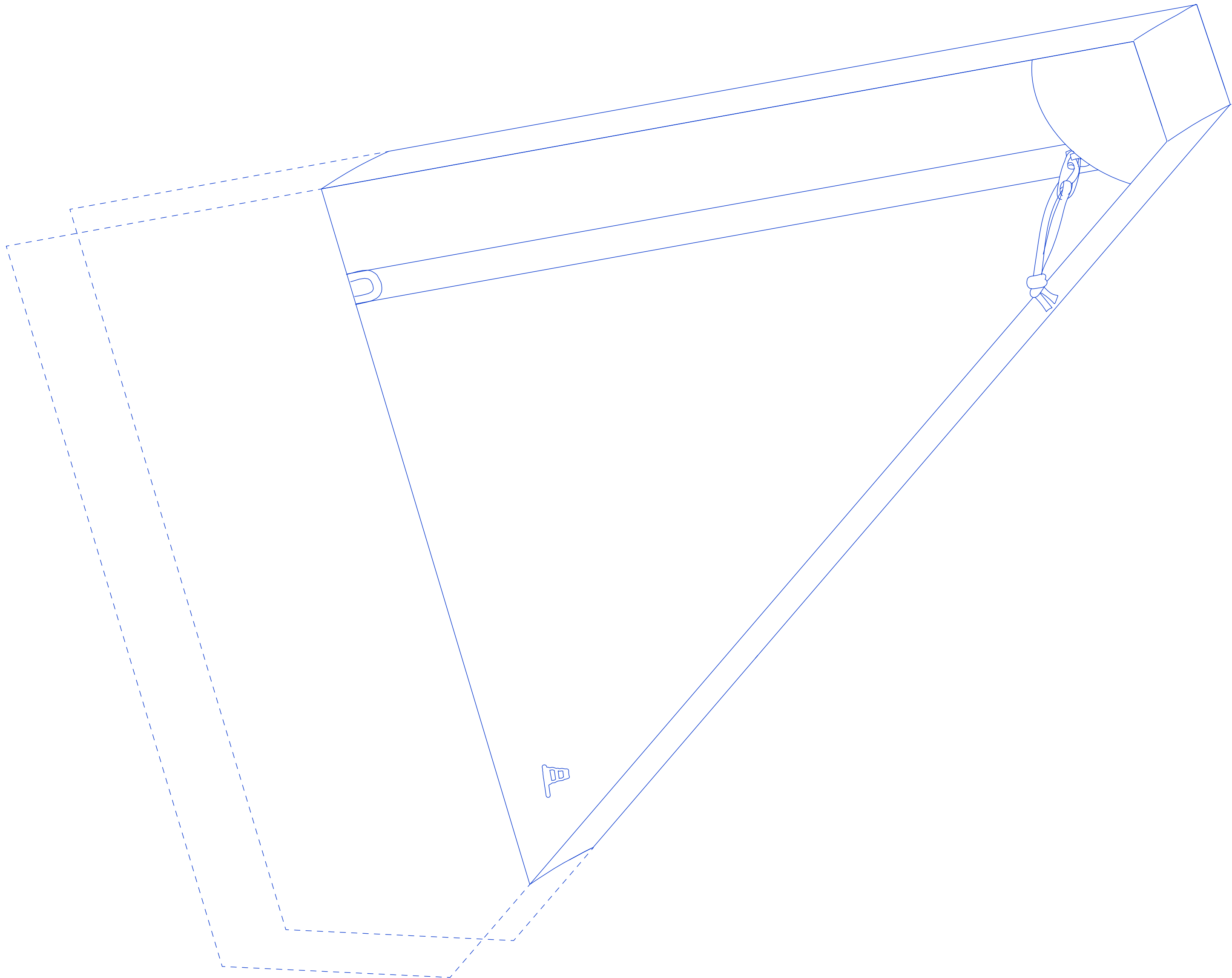
from 160e



attached to the upper half of the frame, to keep both water bottles at hand

# 3/4 FRAME

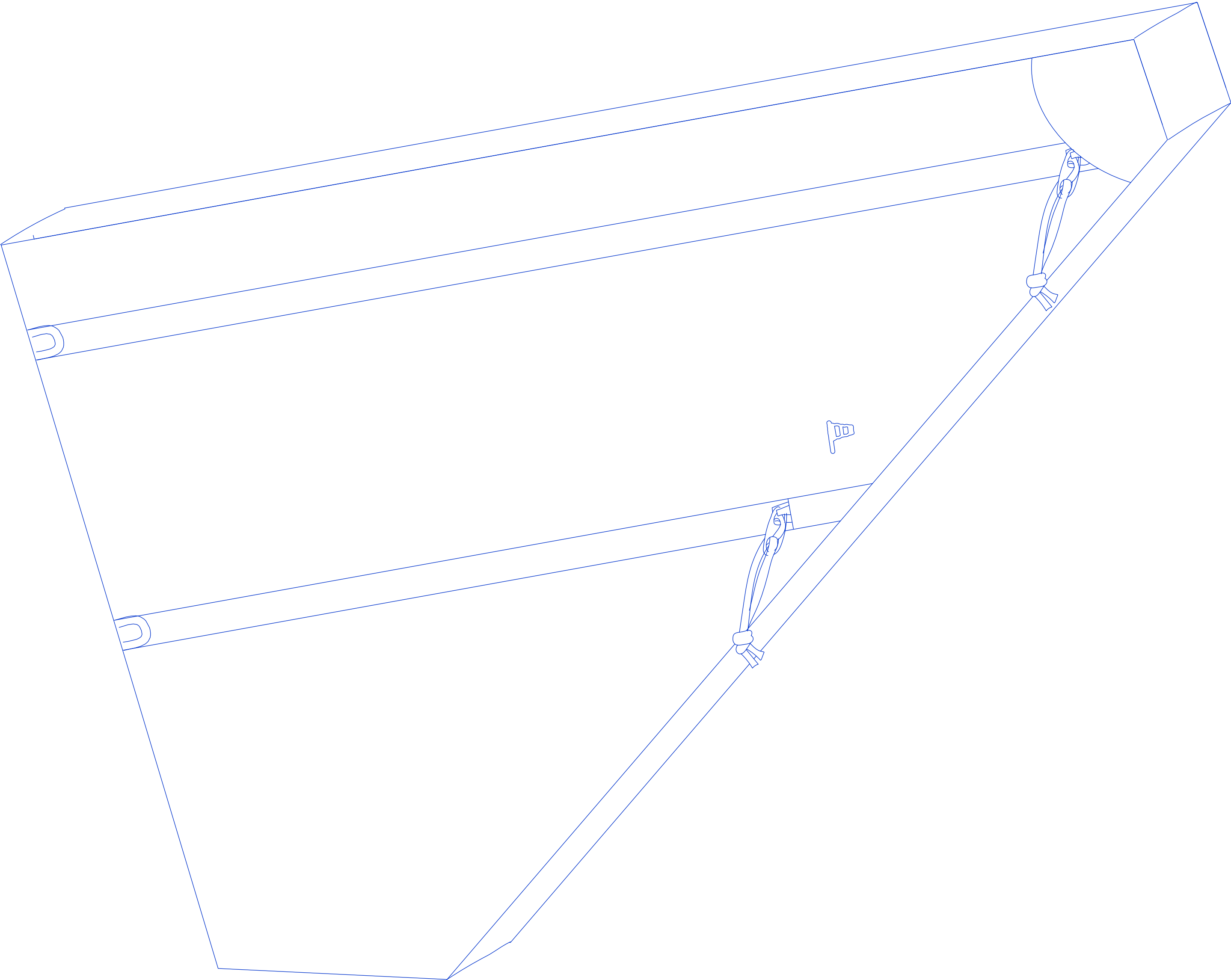
from 185e



to make the best use of the volume offered by the frame while still keeping one water bottle easily accessible

FULL FRAME

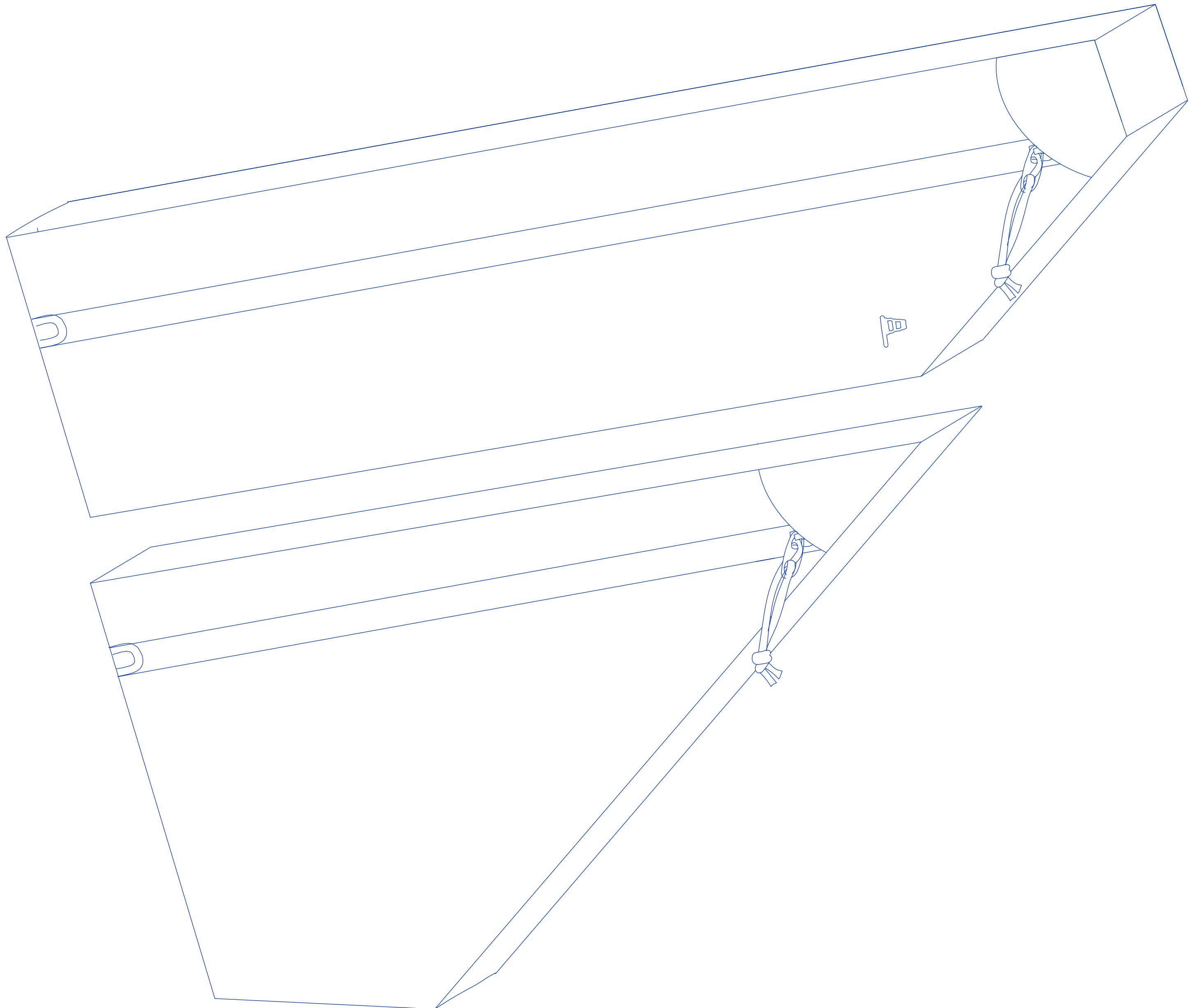
from 210e



fills up the entire space of the frame. split in two horizontal sections with a removable divider

# SPLITTABLE

from 285e



modular framebag that can be used as a half or full frame bag depending on the needs (sections are connected together by magnets)

## DETAILS

### — COMPONENTS

All bags are built with waterproof fabrics and a waterproof ripstop liner. We use YKK Aquaguard #5 zips that we have found to be the most durable coil zips yet. They are water-resistant but not fully waterproof, it is best to keep valuables in drybags if cycling under heavy rain.

### — COMPARTMENTS

Our framebags have one main compartment that can be on the drive or non-drive side.

An option for a second flat pocket on the opposite side is offered.

### — MOUNTING SYSTEMS

Various mounting systems are offered, one framebag can make use of several attachments depending on the frame :

- velcro : punctual velcro straps are sewn on the edge of the framebag, with a Hypalon tab to protect the frame. We recommend protecting the frame with clear tape to protect the varnish

- lace : the framebag is laced around the tubes with an elastic cord. This attachment lessens the strain on the zipper so it lasts longer. It is however longer to install than the other options. We recommend protecting the frame with clear tape to protect the varnish

- bolt-on : the framebag is screwed on the frame on available inserts. It is the most aesthetically pleasing attachment and won't damage the varnish and paintjob. Stainless steel M5 screws + Ø20mm SS washers + Ø20mm rubber washers are provided.



*flat zippered pocket*



*velcro mounting system  
Attachments for tent poles/pump*



*insert mounting system*



*lace mounting system*

## OPTIONS

Base price is for a single compartment with zip closure and velcro and/or lace and/or insert attachment. We offer various options to fit special needs.

— Flat zippered pocket : +35e

Pocket placed on the opposite side of the main pocket. YKK Aquaguard #5 closing, inner mesh pocket and key clip

— Tent poles or pump attachment : 10e

Inner straps below the top-tube for tent poles or a pump

— Loxx attachment system : 7e/Loxx

Attachments on available inserts using Loxx clips : super quick to install and remove while keeping the visual and practical benefits of the insert mounting system.

— Something else ?

quotation available on demand

**please get in touch at [info@courssilpleut.com](mailto:info@courssilpleut.com) to place an order for a frame bag**



*half frame, lace + velcro mounting systems*



*splittable full frame , bolt-on*



*3/4 frame, lace + Loxx mounting systems*



*full frame, Velcro mounting system*



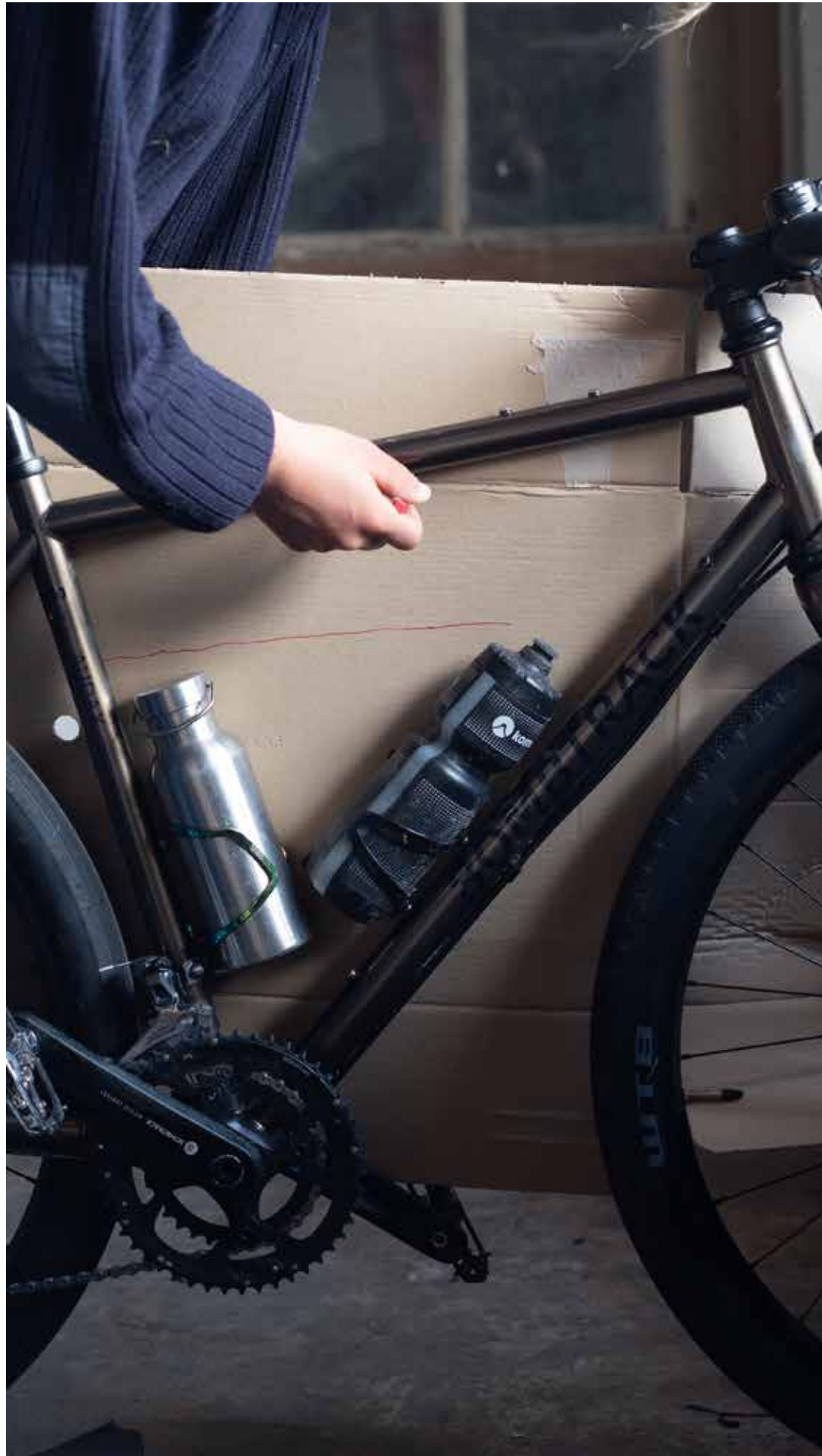
*full frame, bolt-on + velcro mounting systems*



*Loxx attachments*

## FRAME PATTERN

To make a nicely fitting framebag, you will have to trace the shape of the frame and send it to us so we can make the pattern from that. We recommend using a rigid material such as cardboard and a pen with a thin tip as it gives more precise results.



— TRACE THE PATTERN

This step is easier to do with two pairs of hands so get some help if you can. The cardboard has to stay put and close to the frame to trace the pattern with a pen. Please make sure to precisely mark details such as inserts if needed  
If the shape of the framebag depends on waterbottles (half, 3/4 and splittable), make sure to leave them on the bike and draw around them.



— COPY THE PATTERN

To avoid sending a bulky piece of cardboard, you can retrace the pattern on sheets of paper taped together. Don't forget to report all necessary details



— SEND IT TO US

Once the pattern is done, you can send it to  
Gaëlle Bojko  
Cours s'il pleut  
30 rue des Trembles  
38100 Grenoble  
France